

# GATE VALVES



BASIC DESIGN : API 600 / BS 1414 / ASME B16.34

FACE-TO-FACE : ASME B16.10

FLANGES : UP TO 24" ASME B16.5  
FROM 26" ASME B16.47

BUTTWELD ENDS : ASME B16.25

MARKING : MSS-SP-25

INSPECTION AND TESTING : API 598



**FICC**

Petro Fajr-e  
Markazi Co.

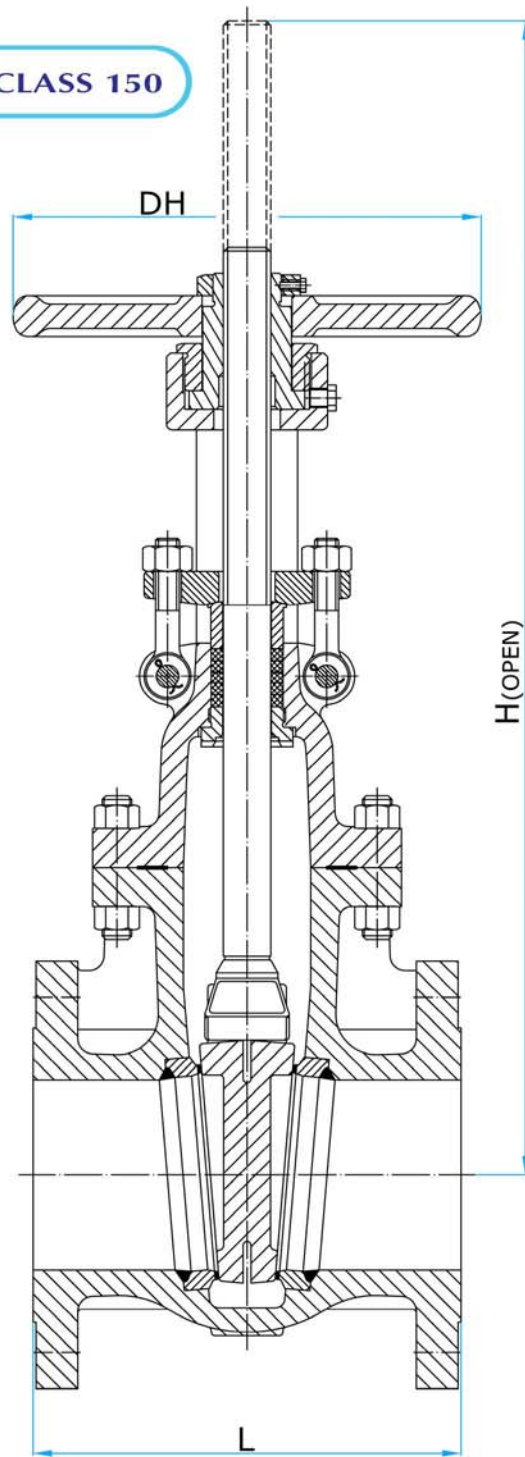


## GATE VALVES ANSI CLASS 150

### FEATURES :

- HEAVY DUTY BODY
- FULL PORT DESIGN -
  - END CONNECTION : RAISED FACE , BUTTWELD , RING TYPE JOINT-
  - INTEGRAL / BOLTED YOKE WITH BOLTED BONNET -
- RISING STEM , OUTSIDE SCREW AND YOKE
- ROBUST AND LARGE DIAMETER HANDWHEEL
- NONRISING HANDWHEEL
- FLEXIBLE / SOLID WEDGE
- FULL LENGTH WEDGE GUIDE
- CORRUGATED METAL BONNET GASKET
- FORGED T-HEAD STEM
- STEM STRAIGHTNESS AND ROUNDNESS
- ACME THREADS FOR STEM
- STEM SURFACE FINISH TO (N6)
- CONICAL STEM BACKSEAT BUSHING
- THREADED BACKSEAT BUSHING
- SUITABLE FOR REPACKING UNDER PRESSURE WHEN FULLY OPENED
- SELF ALIGNMENT / CENTERING GLAND
- STUFFING BOX AND GLAND CYLINDRICITY
- STUFFING BOX SURFACE FINISH TO (N7)
- HEAVY SERIES HEX NUTS
- WELDED SEATRING
- LAPPED SEATS TO MIRROR FINISH
- LUBRICATOR FITTING FOR STEM NUT
- AVAILABLE WITH GEAR OPERATOR 14" AND LARGER
- EASY MAINTENANCE
- SPECIAL FEATURES ACCORDING TO CUSTOMERS REQUIREMENTS

GATE VALVES ANSI CLASS 150

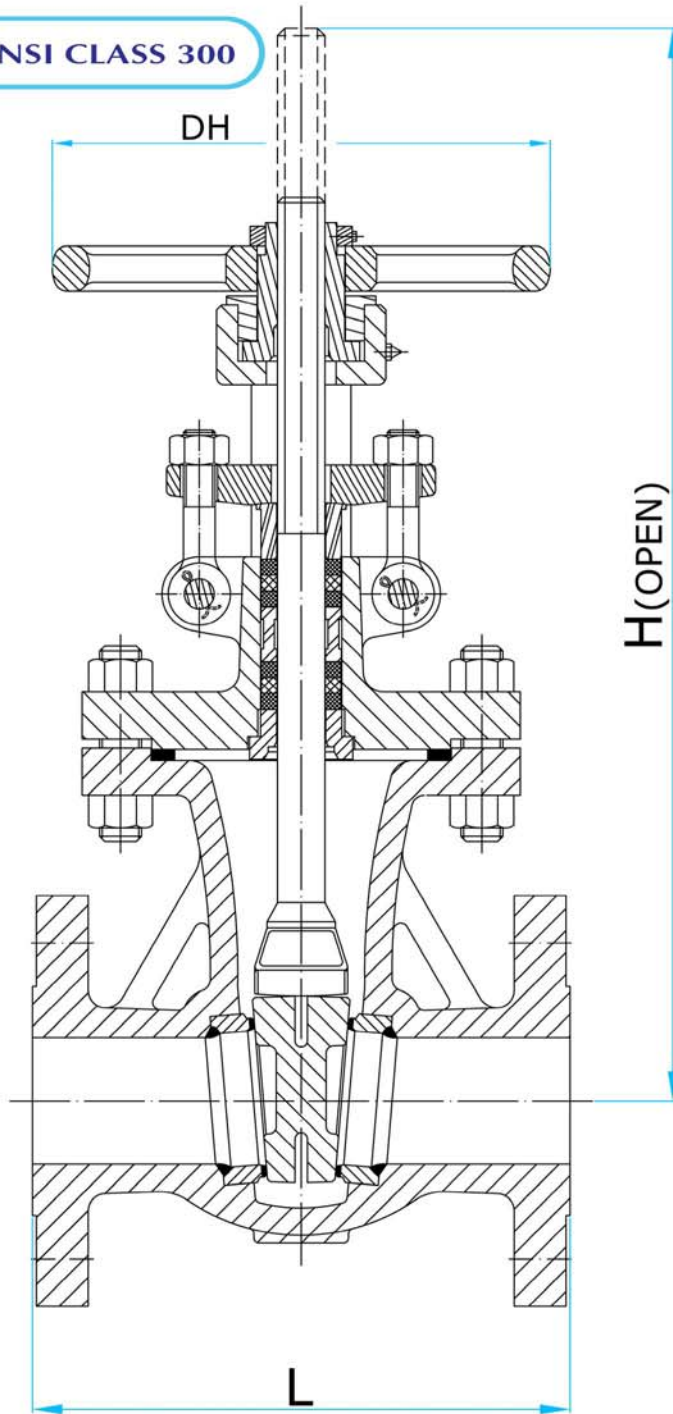


## GATE VALVES ANSI CLASS 300

### FEATURES :

- HEAVY DUTY BODY
- FULL PORT DESIGN -
- END CONNECTION : RAISED FACE , BUTTWELD , RING TYPE JOINT-  
INTEGRAL / BOLTED YOKE WITH BOLTED BONNET -
- RISING STEM , OUTSIDE SCREW AND YOKE
- ROBUST AND LARGE DIAMETER HANDWHEEL
- PLUG / BALL / FLAT TYPE DISK
- MALE AND FEMALE BONNET JOINT
- SPIRAL WOUND GRAPHITIC BONNET GASKET
- EQUIPPED WITH LANTERN RING
- STEM STRAIGHTNESS AND ROUNDNESS
- ACME THREADS FOR STEM
- STEM SURFACE FINISH TO (N6)
- CONICAL STEM BACKSEAT BUSHING
- THREADED BACKSEAT BUSHING
- SUITABLE FOR REPACKING UNDER PRESSURE WHEN FULLY OPENED
- SELF ALIGNMENT / CENTERING GLAND
- STUFFING BOX AND GLAND CYLINDRICITY
- STUFFING BOX SURFACE FINISH TO (N7)
- HEAVY SERIES HEX NUTS
- WELDED SEATRING
- LAPPED SEATS TO MIRROR FINISH
- AVAILABLE WITH GEAR OPERATOR 8" AND LARGER
- EASY MAINTENANCE
- SPECIAL FEATURES ACCORDING TO CUSTOMERS REQUIREMENTS

GATE VALVES ANSI CLASS 300



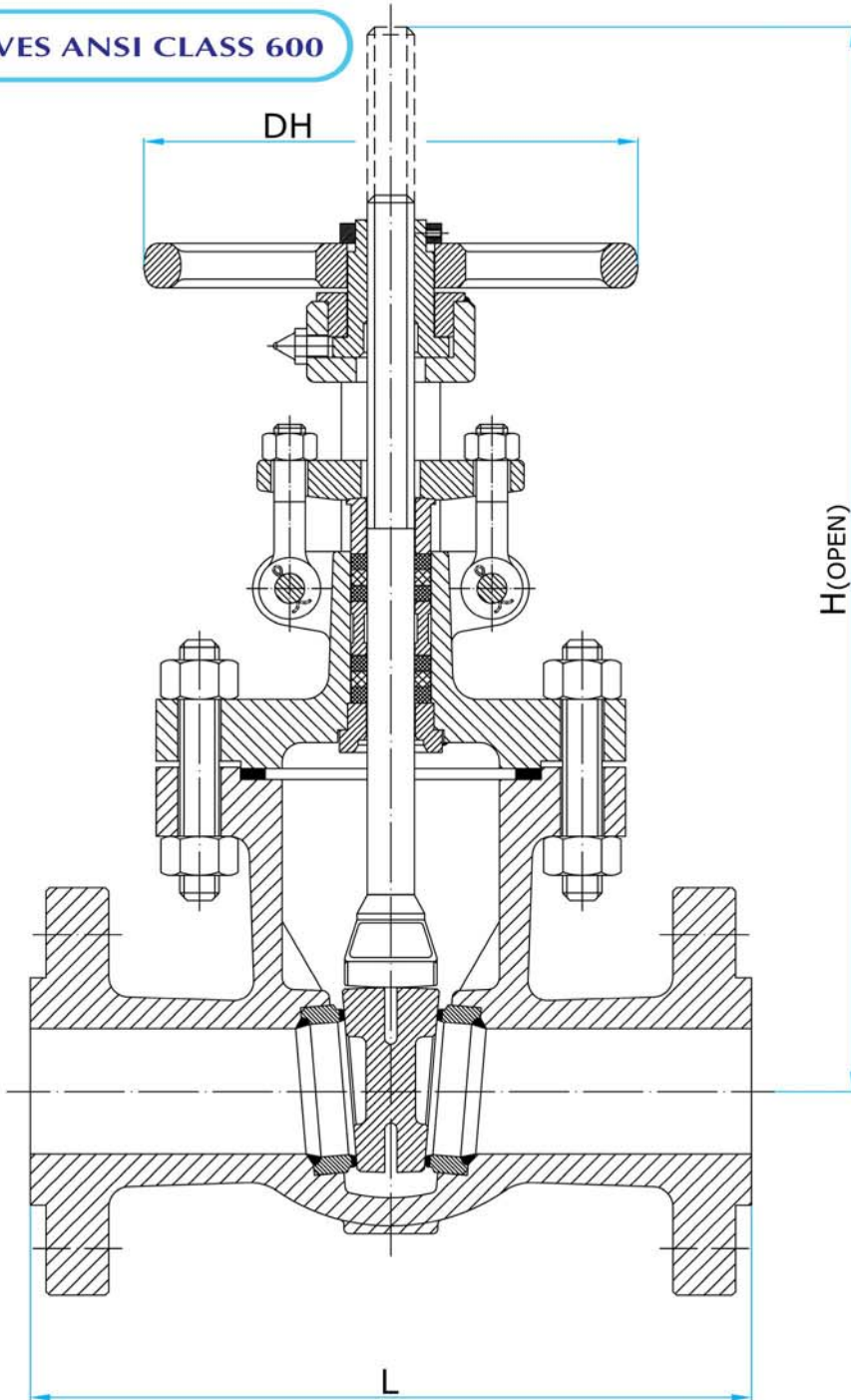
## GATE VALVES ANSI CLASS 600

### FEATURES :

- HEAVY DUTY BODY
- FULL PORT DESIGN -
  - END CONNECTION : RAISED FACE , BUTTWELD , RING TYPE JOINT-  
INTEGRAL / BOLTED YOKE WITH BOLTED BONNET -
- RISING STEM , OUTSIDE SCREW AND YOKE
- ROBUST AND LARGE DIAMETER HANDWHEEL
- NONRISING HANDWHEEL
- FLEXIBLE / SOLID WEDGE
- FULL LENGTH WEDGE GUIDE
- MALE AND FEMALE BONNET JOINT
- SPIRAL WOUND GRAPHITIC BONNET GASKET
- EQUIPPED WITH LANTERN RING
- FORGED T-HEAD STEM
- STEM STRAIGHTNESS AND ROUNDNESS
- ACME THREADS FOR STEM
- STEM SURFACE FINISH TO (N6)
- CONICAL STEM BACKSEAT BUSHING
- THREADED BACKSEAT BUSHING
- SUITABLE FOR REPACKING UNDER PRESSURE WHEN FULLY OPENED
- SELF ALIGNMENT / CENTERING GLAND
- STUFFING BOX AND GLAND CYLINDRICITY
- STUFFING BOX SURFACE FINISH TO (N7)
- HEAVY SERIES HEX NUTS
- WELDED SEATRING
- LAPPED SEATS TO MIRROR FINISH
- LUBRICATOR FITTING FOR STEM NUT
- ANTI FRICTION THRUST BEARING STEM NUT 6" AND LARGER
- AVAILABLE WITH GEAR OPERATOR 10" AND LARGER
- EASY MAINTENANCE
- SPECIAL FEATURES ACCORDING TO CUSTOMERS REQUIREMENTS




GATE VALVES ANSI CLASS 600

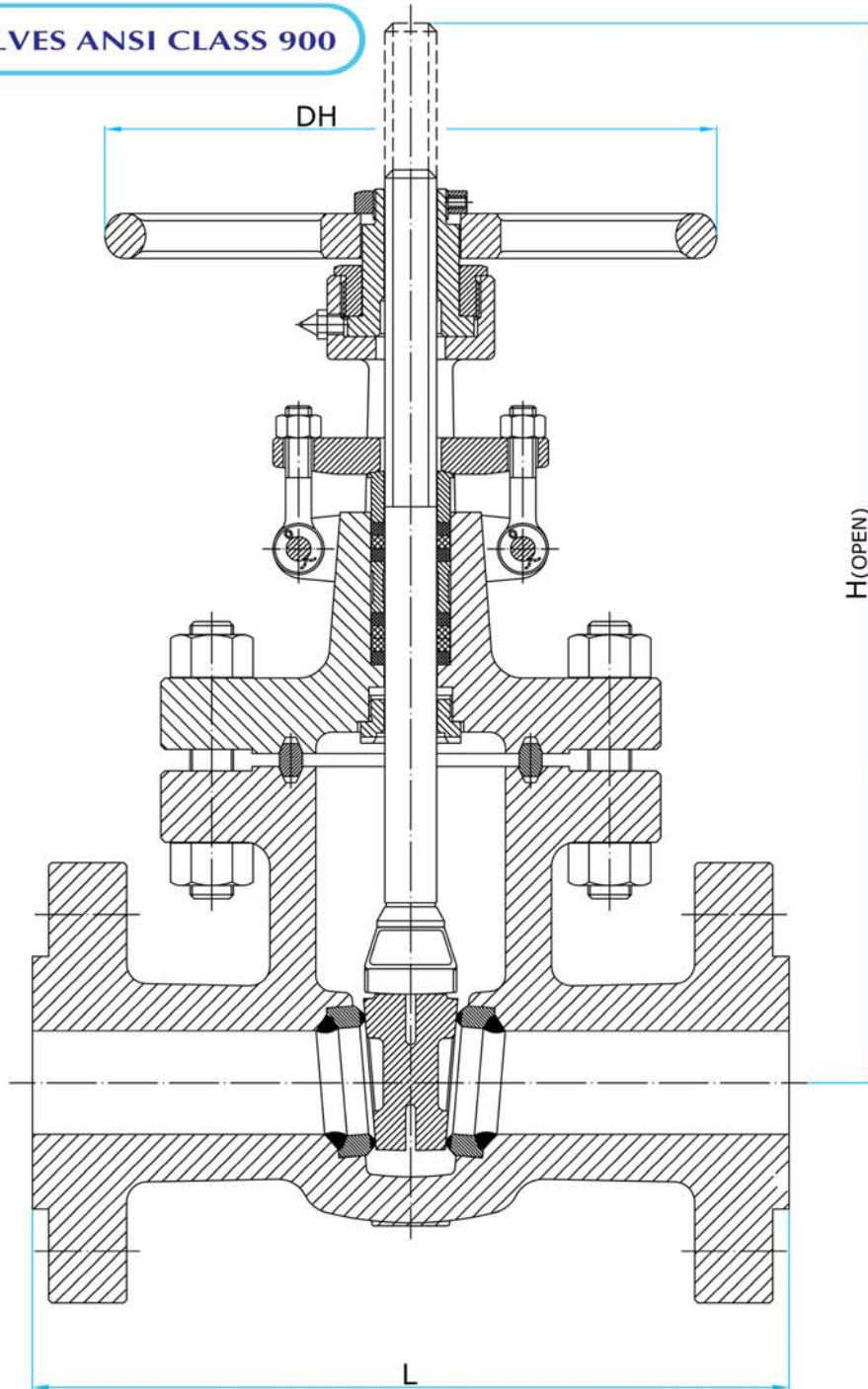


## GATE VALVES ANSI CLASS 900

### FEATURES :

- HEAVY DUTY BODY
  - FULL PORT DESIGN -
    - END CONNECTION : RAISED FACE , BUTTWELD , RING TYPE JOINT-  
INTEGRAL / BOLTED YOKE WITH BOLTED BONNET -
  - RISING STEM , OUTSIDE SCREW AND YOKE
  - ROBUST AND LARGE DIAMETER HANDWHEEL
  - NONRISING HANDWHEEL
  - FLEXIBLE / SOLID WEDGE
  - FULL LENGTH WEDGE GUIDE
  - RING JOINT BONNET GASKET
  - EQUIPPED WITH LANTERN RING
  - FORGED T-HEAD STEM
  - STEM STRAIGHTNESS AND ROUNDNESS
  - ACME THREADS FOR STEM
  - STEM SURFACE FINISH TO (N6)
  - CONICAL STEM BACKSEAT BUSHING
  - THREADED BACKSEAT BUSHING
  - SUITABLE FOR REPACKING UNDER PRESSURE WHEN FULLY OPENED
  - SELF ALIGNMENT / CENTERING GLAND
  - STUFFING BOX AND GLAND CYLINDRICITY
  - STUFFING BOX SURFACE FINISH TO (N7)
  - HEAVY SERIES HEX NUTS
  - WELDED SEATRING
  - LAPPED SEATS TO MIRROR FINISH
  - LUBRICATOR FITTING FOR STEM NUT
  - AVAILABLE WITH GEAR OPERATOR 6" AND LARGER
  - EASY MAINTENANCE
  - SPECIAL FEATURES ACCORDING TO CUSTOMERS REQUIREMENTS
- 

GATE VALVES ANSI CLASS 900



## GATE VALVES ANSI CLASS 1500

### FEATURES :

- HEAVY DUTY BODY
- FULL PORT DESIGN -
  - END CONNECTION : RAISED FACE , BUTTWELD , RING TYPE JOINT- INTEGRAL / BOLTED YOKE WITH BOLTED BONNET -
- RISING STEM , OUTSIDE SCREW AND YOKE
- ROBUST AND LARGE DIAMETER HANDWHEEL
- NONRISING HANDWHEEL
- FLEXIBLE / SOLID WEDGE
- FULL LENGTH WEDGE GUIDE
- RING JOINT BONNET GASKET
- EQUIPPED WITH LANTERN RING
- FORGED T-HEAD STEM
- STEM STRAIGHTNESS AND ROUNDNESS
- ACME THREADS FOR STEM
- STEM SURFACE FINISH TO (N6)
- CONICAL STEM BACKSEAT BUSHING
- THREADED BACKSEAT BUSHING
- SUITABLE FOR REPACKING UNDER PRESSURE WHEN FULLY OPENED
- SELF ALIGNMENT / CENTERING GLAND
- STUFFING BOX AND GLAND CYLINDRICITY
- STUFFING BOX SURFACE FINISH TO (N7)
- HEAVY SERIES HEX NUTS
- WELDED SEATRING
- LAPPED SEATS TO MIRROR FINISH
- LUBRICATOR FITTING FOR STEM NUT
- AVAILABLE WITH GEAR OPERATOR 6" AND LARGER
- EASY MAINTENANC
- SPECIAL FEATURES ACCORDING TO CUSTOMERS REQUIREMENTS

GATE VALVES ANSI CLASS 1500

